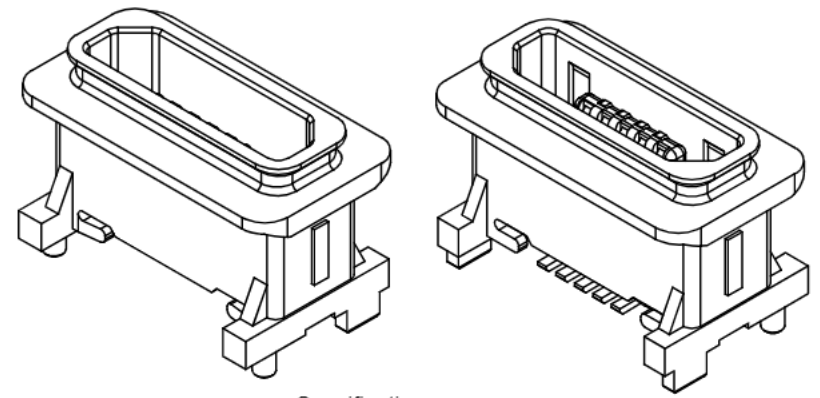


Recommended PCB Layout
 As viewed from component side Tolerance: ±0.03mm
 Recommended PCB Thickness: 0.80mm
 [Hatched Box] Solder Area [Dashed Box] Component Outline



Specifications

Material

Insulator: High Temp. Plastic UL 94V-0, Black
 Contact: Copper Alloy
 Shell: Stainless Steel
 Gasket: Silicone Rubber, Part No.: USBTJ-02B
(Gasket+Connector can be ordered separately or together as a KIT - USB3510-30-C-KIT)

Plating

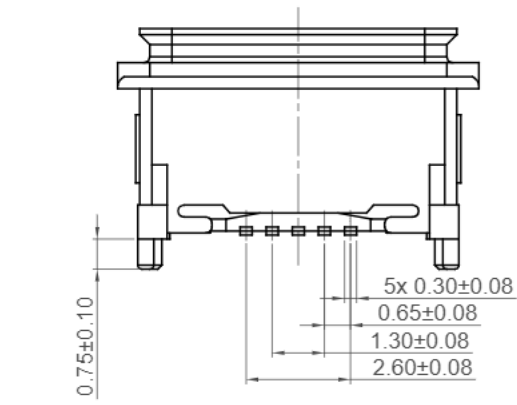
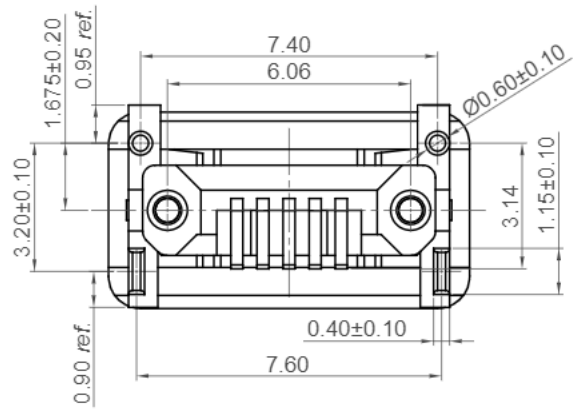
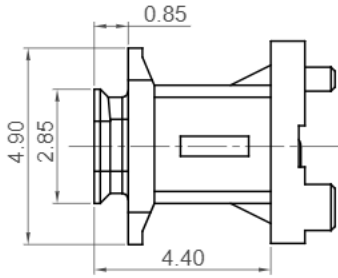
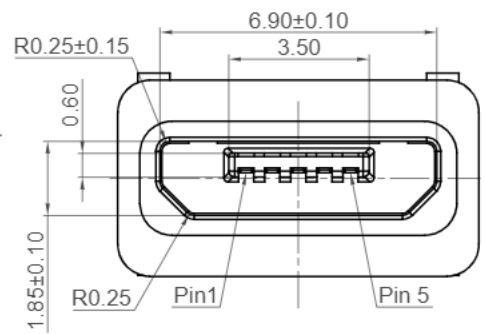
Terminal:
 Contact area: 30µ" Gold
 Soldering tails: Gold Flash
 Underplating: 50µ" Min. Nickel
 Shell: 50µ" Min. Nickel over all

Electrical

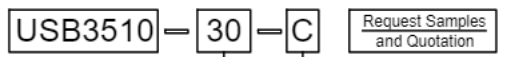
Current Rating: Signal (Pins 2,3,4): 1.0A
 Power (Pins 1,5): 1.8A
 Voltage Rating: 30V AC
 Contact Resistance: 30mΩ max.
 Dielectric Withstanding Voltage: 100V AC
 Insulation Resistance 1000MΩ min

Mechanical & Environmental

Operating Temperature: -30°C to +85°C
 Mating Force: 35N max.
 Unmated Force: 8N min.
 Durability: 10,000 cycles
 Ingress Protection Rating: IP67



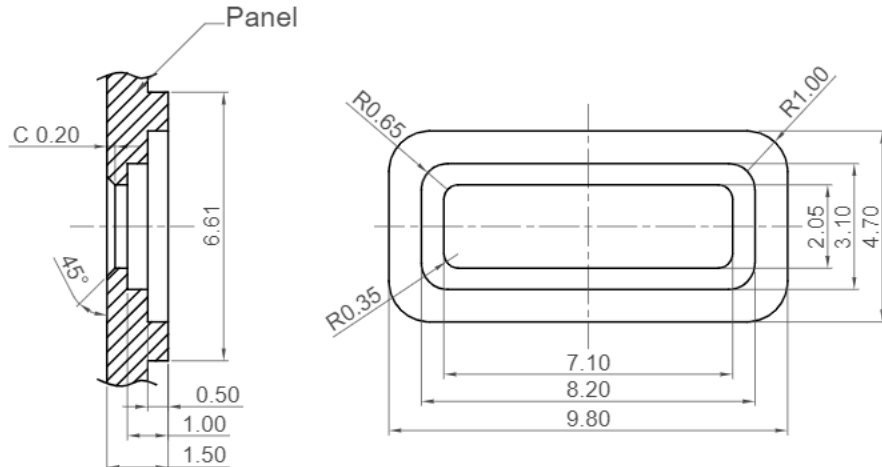
Ordering Grid



Contact Plating
 30 = 30µ" Gold

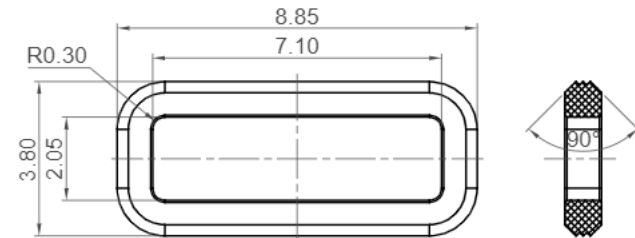
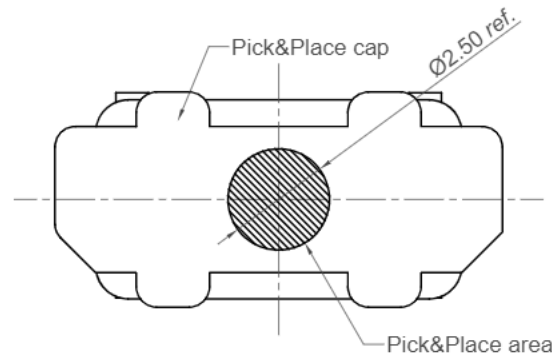
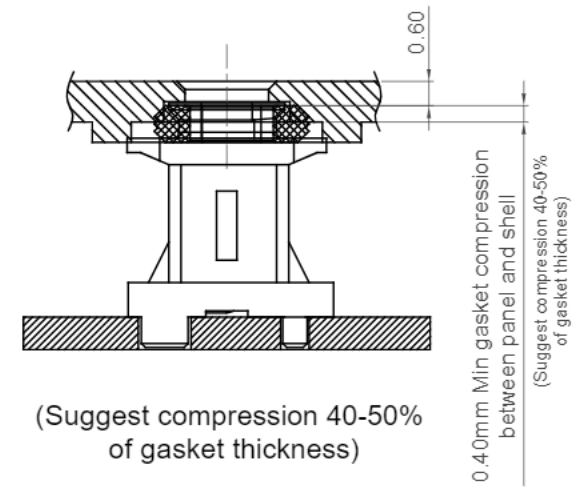
Packing Options
 C = Tape & Reel With Cap (700 per reel)

Part Number		Product Description	
USB3510		Micro USB Type B Receptacle, Vertical, IP67	
Drawing Date		31st July 2023	
By	CC	Tolerances (Except as Noted)	Units:
Detail	Drawing Release	Length X. ± 0.50	Metric (mm)
Revision	A	XX ± 0.30	± 1°
Date	31/07/23	X.XX ± 0.20	
		X.XXX ± 0.10	2nd Angle Projection
			RoHS COMPLIANT 2011/65/EU Deca-BDE
			This drawing is confidential and copyright of Global Connector Technology, Ltd (GCT). This drawing must not be copied or disclosed without written consent. E & OE
			GCT www.gct.co
			Not to Scale
			Drawn By CC
			Sheet No. 1/4



Recommended Panel Spec

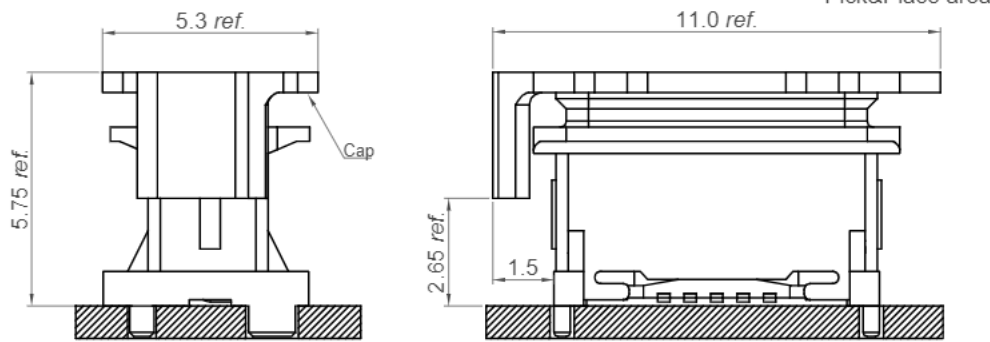
Tolerance: ±0.05mm



Recommended Waterproof Gasket Spec

Gasket Part No.: USBTJ-02B

(Gasket+Connector can be ordered separately or together as a KIT - USB3510-30-C-KIT)
(See separated datasheet for specification)



PCB Mount & Cap Information

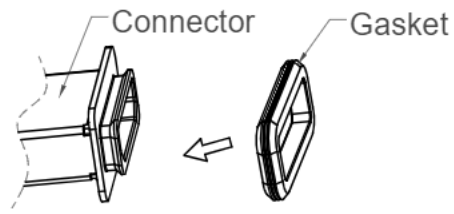
Part Number		Product Description	
USB3510		Micro USB Type B Receptacle, Vertical, IP67	
Drawing Date		31st July 2023	
By	CC	Tolerances (Except as Noted)	Units:
Detail	Drawing Release	Length X. ± 0.50	Metric (mm)
Revision	A	X.X ± 0.30	± 1°
Date	31/07/23	X.XX ± 0.20	2nd Angle Projection
		X.XXX ± 0.10	



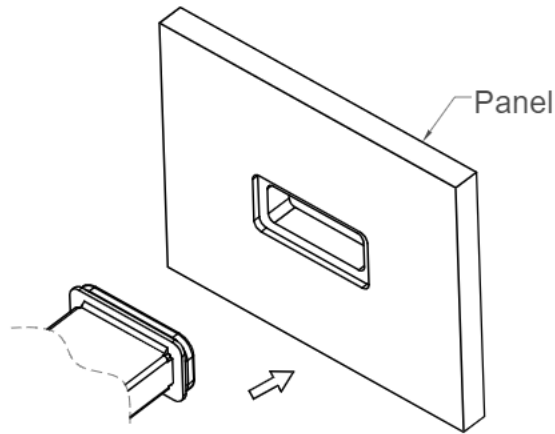
This drawing is confidential and copyright of Global Connector Technology, Ltd (GCT). This drawing must not be copied or disclosed without written consent. E & OE



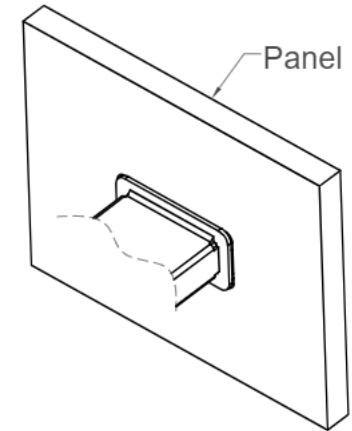
Not to Scale Drawn By CC Sheet No. 2/4



Step 1







Step 2

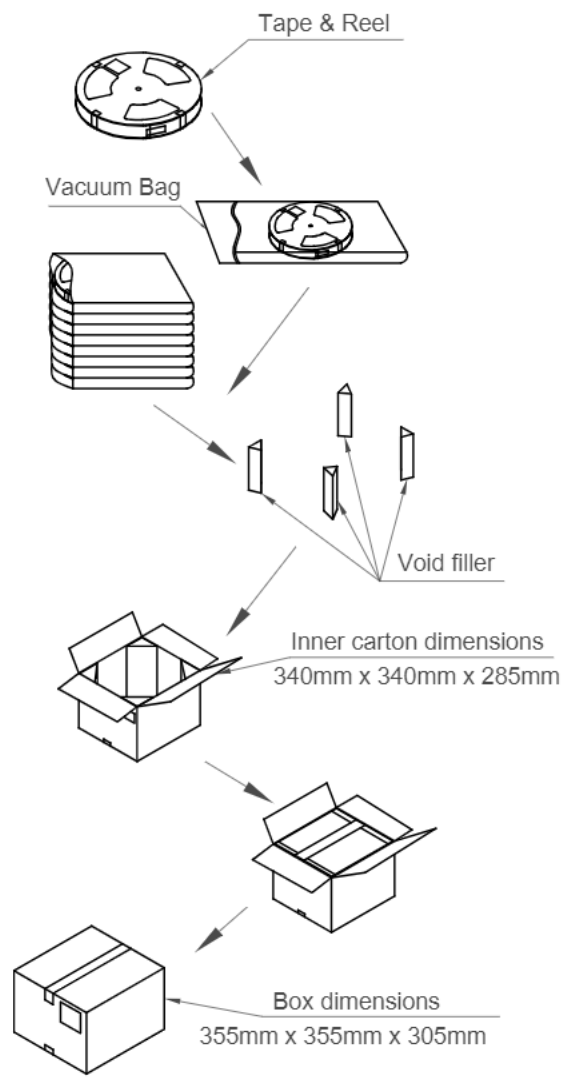
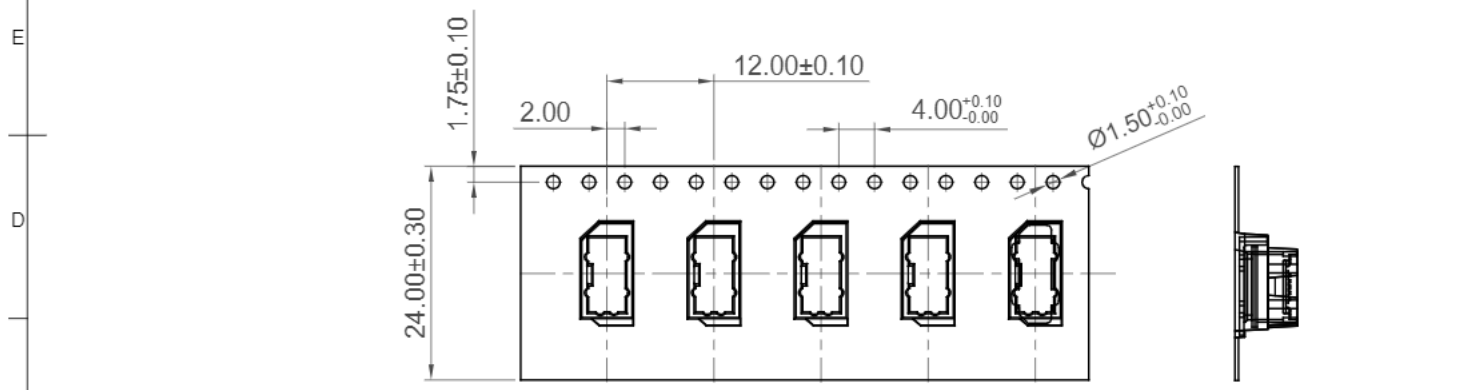
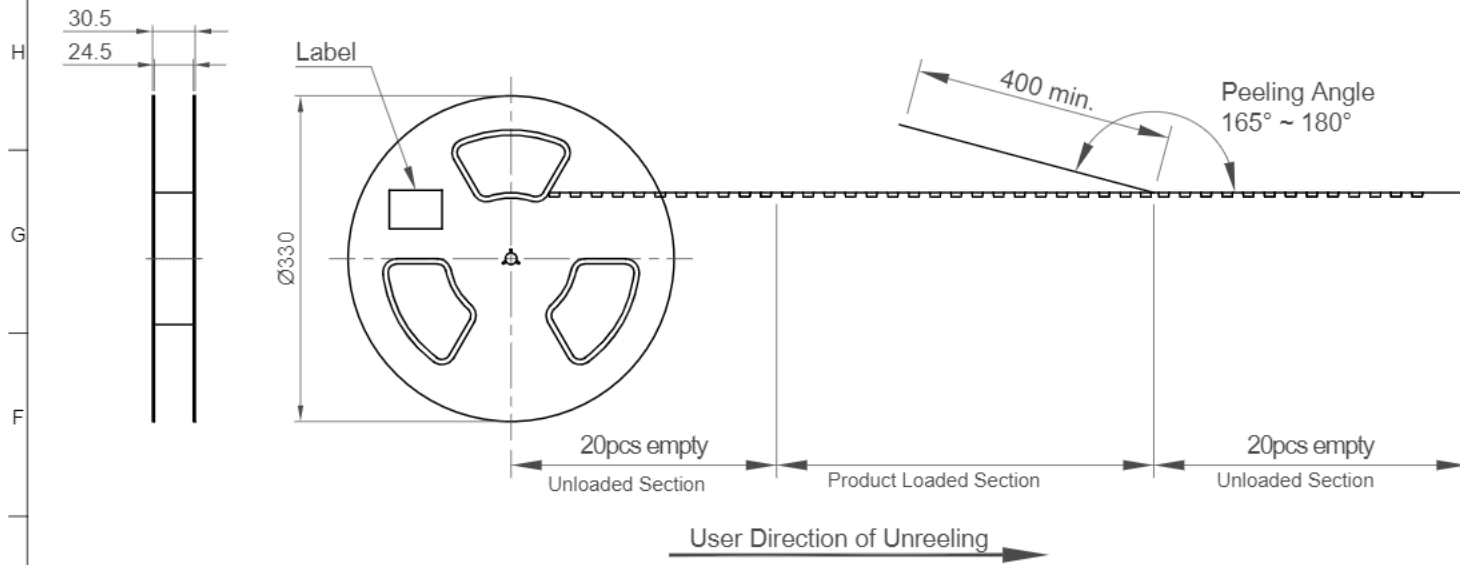


Step 3

Assembly instruction for Gasket set after Reflow
Available for Micro USB Waterproof Series

Part Number		Product Description				This drawing is confidential and copyright of Global Connector Technology, Ltd (GCT). This drawing must not be copied or disclosed without written consent. E & OE
USB3510		Micro USB Type B Receptacle, Vertical, IP67				
Drawing Date		31st July 2023				
By	CC	Tolerances (Except as Noted)		Units:		
Detail	Drawing Release	Length	Angle	Metric (mm)		
Revision	A	X. ± 0.50	± 1°			
Date	31/07/23	X.X ± 0.30				
		X.XX ± 0.20				
		X.XXX ± 0.10				
Not to Scale		Drawn By	CC	Sheet No.		3/4





Pcs / Reel	Reels / Carton	Total Quantity
700	9	6300

Notes:
 Peeling off force of top tape: 0.1-1.3N (Peeling direction as shown)

Materials:
 Carrier Tape: Polystyrene (PS)
 Top Tape: PE
 Reel Tape: Polystyrene (PS)
 Bag: PE

Part Number USB3510		Product Description Micro USB Type B Receptacle, Vertical, IP67	
Drawing Date 31st July 2023			
By CC	Detail Drawing Release	Tolerances (Except as Noted) Length	Units: Metric (mm)
Revision A	Date 31/07/23	Angle	2nd Angle Projection



This drawing is confidential and copyright of Global Connector Technology, Ltd (GCT). This drawing must not be copied or disclosed without written consent. E & OE



Not to Scale	Drawn By CC	Sheet No. 4/4
--------------	----------------	------------------